

COMMERCIAL REVERSE OSMOSIS SYSTEM CAN LC SERIES



Overview

Canature has dedicated professional engineers with decades of commercial water treatment experience. Over the years, they have built a reputation for designing efficient, high quality water purification systems.

Our CAN LC RO systems are an affordable solution for applications up to 800 gallons per day and removes up to 98% of total dissolved solids in raw feed water.

For Applications Such As

- Boiler Treatment - Spot-free Rinse - Ice Making - Greenhouses - Research and Medical Labs - Process Make-up Water
- Humidification - Ion exchange Pre-treatment - Bottle Water - Food and Beverage Processing

Operating Parameters

- Maximum operating pressure: 120 psi
- Nominal recovery: 33% to 50%
- Nominal salt rejection: 95–98%
- Operating temperature: 33–100° F
- Design temperature: 77° F
- Minimum inlet pressure: 20 psi

Materials of Construction

- Frame: Powder coated carbon steel
- Membrane element: TFC 400 GPD
- Membrane housings: GF Polypropylene
- Tubing: High Density Polyethylene

Pump and Motor

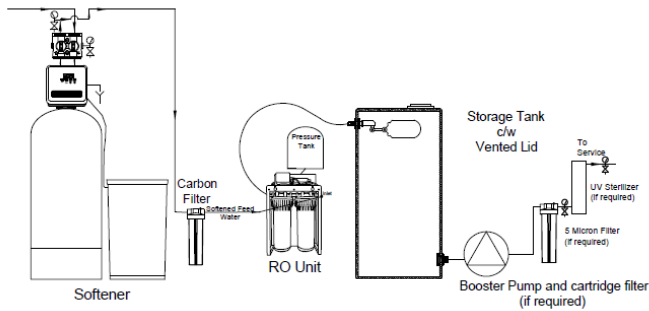
- 115V — 24VAC 60 Hz diaphragm pump

Standard Features

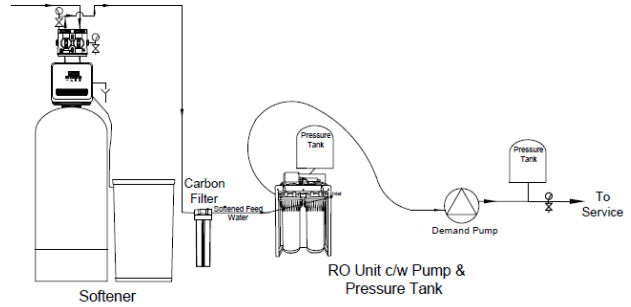
- Electronic controller
- 5-micron sediment pre-filter
- GAC pre-filter
- Air purge on start up
- Automatic inlet shut-off valve
- Automatic feed water flush
- Low pressure pump protection
- Dual purpose wrench for use on membrane cap and filter housing

Recommended Installations

Storage Tank With Re-Pressurization



Pressurized Storage



Storage Tank Systems (Constant Pressure Pump)

Item	Description	Dimensions HxWxD Inches	Float Switch	Pump Size ¹	Pump Flow Rate
70050221	100 US Gallon Storage	49x20x30	Yes	3/4 HP	12 gpm @ 30 psi
70050223	180 US Gallon Storage	60x25x34	Yes	3/4 HP	12 gpm @ 30 psi
70050225	240 US Gallon Storage	51x49x29	Yes	3/4 HP	12 gpm @ 30 psi
70050227	360 US Gallon Storage	75x49x29	Yes	3/4 HP	12 gpm @ 30 psi
70050229	480 US Gallon Storage	82x42x42	Yes	3/4 HP	12 gpm @ 30 psi

1. Optional 1 HP pump available. 14 gpm @ 30 psi.

RO Storage Tanks

Item	Description	Dimensions HxWxD	Tank Volume	Total	
				10/50	10/60
70021031	15 GAL RO STORAGE TANK	26x16x16	15 Gal	9.3	10.0
70021032	22 GAL RO STORAGE TANK	34x16x16	20 Gal	13.6	14.7
70021033	40 GAL RO STORAGE TANK	37X21X21	14 Gal	24.7	26.8
70021034	80 GAL RO STORAGE TANK	64X24X24	14 Gal	24.7	26.8
70031000	Tank Fitting Assembly				

Specifications

Model	Max. Permeate Flow ¹	Recovery %	Rejection ²	Qty Membranes	Operating Pressure	1 Stage	2nd Stage	Dimensions HxWxD Inches	Connections	Voltage
CAN LC 400	400 GPD	33% - 50%	> 95%	1	120 PSI	10" 5 Micron	10" GAC	18 X 11 X 9	3/8 TUBE	115V
CAN LC 800	800 GPD	33% - 50%	> 95%	1	120 PSI	20" 5 Micron	20" GAC	29 X 15 X 11	1/2 TUBE	115V

¹ The maximum permeate flow as defined by the membrane specifications and the feed water conditions of 2,000 ppm NaCl, 77 deg. F, 200 psi operating to atmosphere.

² TDS rejection and water recovery are variable and can be affected by temperature and feed water conditions



FEED WATER GUIDELINES	
FEED WATER PRESSURE	MIN. 20 PSI
TEMPERATURE	33 F - 100 F
PH	3.0 - 11.0
MAX. TDS	2,500 MG/L
TURBIDITY	< 1.0 NTU
MAX SDI	< 5.0
HARDNESS	< 5 GPG
IRON	< 0.1
MANGANESE	< 0.05
HYDROGEN SULFIDE	Zero
ORGANICS	Zero
CHLORINE	Zero
OIL (HYDROCARBONS)	Zero

Novo Water Conditioning
 Toll Free 1-877-655-6686
 Fax 1-877-658-6686
 support@novowater.com
 www.novowater.com



We can manufacture to unique specifications or use our in-house engineering capabilities to develop a system to meet your specific requirements.